

WELCOME TO

Green Vitality Industry Co., Ltd

Professional Plastic Mold

Plastic Injection Molding



# CONTENTS

01

COMPANY PROFILE

02

SERVICE

03

MOLDS & SAMPLE PARTS

04

PARTNERSHIP

01

# COMPANY PROFILE



- ◇ Green Vitality Industry Co., Ltd was established in July, 1993 engaged in CNC processing in Shenzhen.
- ◇ The first mold factory was founded in Shenzhen in 2000.
- ◇ In 2007, Green Vitality was registered in Hong Kong, and set up an overseas branch office in Shenzhen for export trade.
- ◇ In 2013, our factory merged with another factory and moved to Dongguan City.
- ◇ With constant growing, in 2018 we built a new wholly-owned factory, named *Kidyson Mold Co., Ltd.* in Shajing, Shenzhen.
- ◇ Today, with rich mold experience and a steady engineering and manufacturing team, Green Vitality has become a reliable supplier as well as the strategic partner of customers worldwide to provide the most efficient solution for their application.
- ◇ In the future, we will continue to provide value-added and one-stop service, introduce new advanced technology and machines, expand our injection mold and molding envelope.

## Company Profile

# Milestone in Green Vitality



1993

**Establishment**

engaged in CNC processing



2000

**Factory Found**

the first mold factory



2007

**Export Trade**

overseas branch office set up



2013

**Expansion**

merged with another factory



2018

**Looking Forward**

wholly-owned factory built,  
Shenzhen Kidyson Mold Co., Ltd

Proud of Our History, Confident in Our Future

Passion is the NO.1 quality call for both life and work.

*- Linsen, CEO of Green Vitality*



# Company Culture

Be passionate and be perfect  
Always be powerful to life and work.  
Stay hungry, stay foolish.

Attitude is everything.  
Do what we love and love what we do.  
Follow our heart, and never give up.



Quality comes first and service comes first.

Be Responsible and faithful in business.

Green Vitality is aiming to become a reputable mold brand company.

# Management Team – Factory Organizational Chart

Responsible Depts	Responsibility Post	Main Duty	Relevant Forms
<b>Market Dept.</b>	- Marketing Assistant - Marketing Engineer - Marketing Director	- Identity Target Customer - Quote to Customer - Confirm the Order & Deposit - Provide Customer Information to Production Dept. - Make a Table for Mold Specification	- Quotation Sheet - Monthly Orders Statistics - Mould Specification - Mould Release
<b>Project Dept.</b>	- Engineer - Junior Engineer - Director	- Build Mould File - Check Part Information and Distribute to Relevant Departments - Determine Schedule - Mould Progress Report - Mould Verification	- Development Schedule - Mould Progress Report - Trial Parameter Report - Mould Evaluation Report - Work Sheet - Release Mould Checking List
<b>Design Dept.</b>	- Junior Engineer - Designer - Designer Director	- Customer Data Review & Record - Feedback the Related Information to Project Engineer - Design Part Drawing, Mould Drawing & Make BOM - Responsible for All Production Data Output - Responsible for Design Changing & ECN	- Evaluation Table for 2D/3D - Final Review & Record - Primary Market Record Table - ECN - Moldbase, Cavity & Core List
<b>Program Dept.</b>	- Program Director - Programmer - Junior Programmer	- Drawing & Programming of Copper - Check and Ensure All Correct Copper Before EDM	- Copper List - Program List - Copper Drawing - EDM Drawing
<b>Producing Dept.</b>	- MI/DR/GR Workman - NC/EDM Workman - Processing Head	- Component Processing - Cavity & Core Processing - Ensure All the Pieces to Be Completed in Time	- Self-checking Table - Unqualified Information Feedback Form - ECN
<b>Process &amp; Production Dept.</b>	- Production Head - Skilled Workman - Production Director	- Detailed Interpretation of Customer Product & Mold Drawing - Processing Schematic Drawing - Measuring - Mould Assembly - Follow up the Progress of Parts Machining	- Self-checking Table - Processing Schematic Drawing - ECN - Unqualified Information Feedback Form - Work Sheet - Self-checking for Mould Assembly
<b>QC Dept.</b>	- IPQC - QA - Engineering Director	- Check the Incoming Material - Processing Inspection - Part Dimensions Inspection - Outsourcing Quality Control - Mould Verification Before Shipment	- Incoming Inspection Report - Processing Inspection Report - Copper Electrode Inspection Report - Part Inspection Report - Mould Inspection Record Before Delivery



# Project Management

We provide professional form and graphics, such as BOM of mold, weekly report with pictures, injection parameter report and dimension report to manage all of projects running process.

**Green Vitality 模具进度报告 (Mould Progress Report)**

模具工程师 (Mould Engineer): \_\_\_\_\_ 模具日期 (Mould Date): \_\_\_\_\_  
 产品名称 (Part Name): \_\_\_\_\_ 图号 (Drawing No.): \_\_\_\_\_

Task	Start	End	Progress	Remarks
模具设计				
模具制造				
模具调试				
客户验收				
注塑成型				
模具维护				
模具修理				
模具报废				
模具回收				
模具处理				
模具清洗				
模具存放				
模具管理				

**Green Vitality 试模报告**

名称: \_\_\_\_\_ 日期 (Date): \_\_\_\_\_ 报告编号 (Rep. No.): \_\_\_\_\_  
 客户: \_\_\_\_\_  
 模具编号: \_\_\_\_\_  
 模具代码: \_\_\_\_\_  
 模具时间: \_\_\_\_\_  
 模具数量: \_\_\_\_\_  
 模具数量: \_\_\_\_\_

**Green Vitality DIMENSIONAL REPORT**

REF.: 11021/01  
 DATE: 2016/8/3  
 PAGE: 1/3

Material	Part name
GVI	
Material: ABS	
Surface: RAL 9006	
Finish: _____	
Dimension	Dim. Type
1 Lineal	
2 Lineal	
3 Lineal	
4 Diameter	
5 Lineal	
6 Lineal	

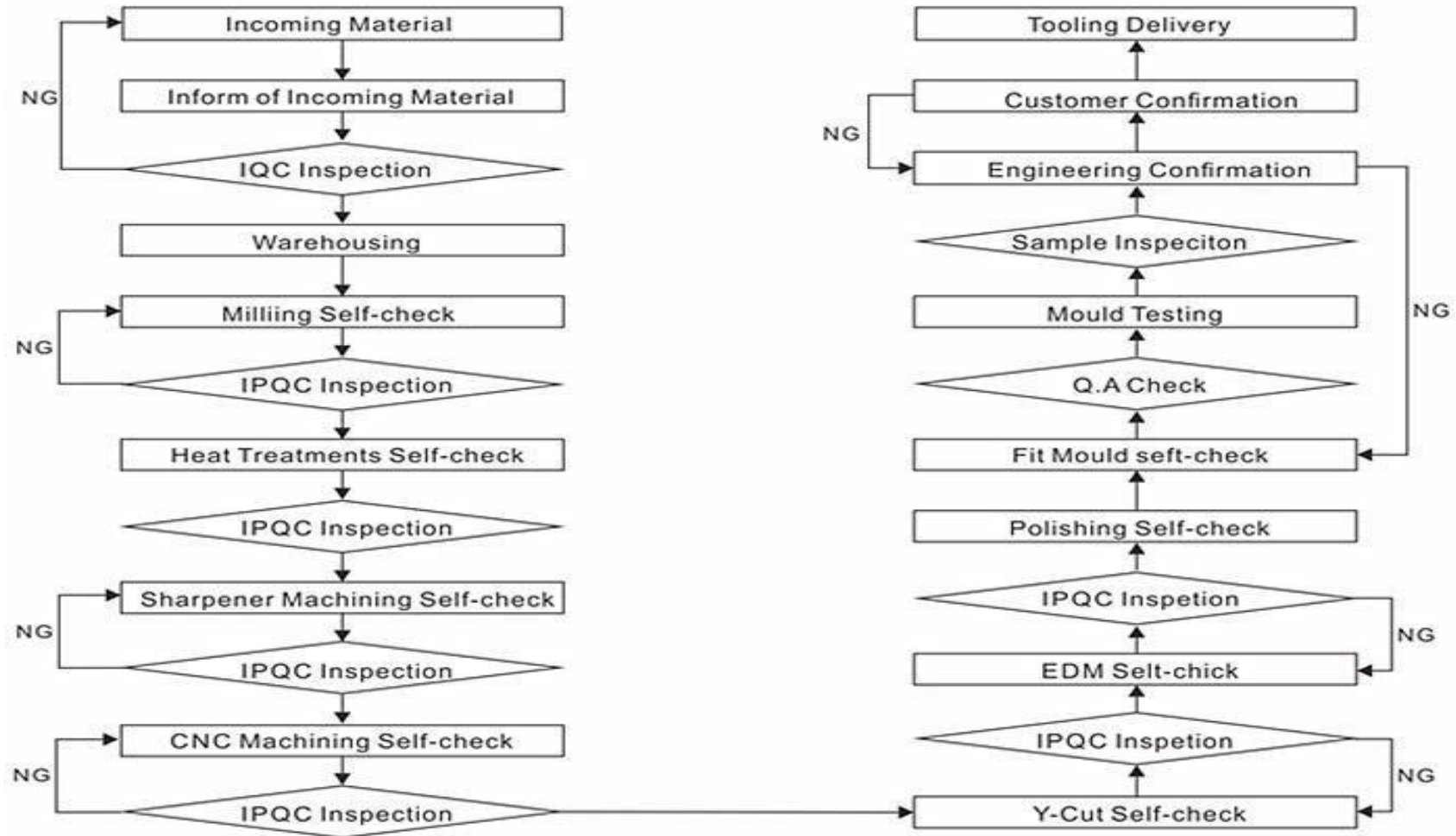
**Green Vitality 模具出货检验报告**

1 No.(模具编号) \_\_\_\_\_ Customer(客户) \_\_\_\_\_ Date(走模日期) \_\_\_\_\_

Mold Base 模胚	Yes
old base standard meet tooling spec sheet 模胚标准符合模具规格表	
old component standard meet tooling spec sheet 配件标准符合模具规格表	
rebolt holes are in proper size and location specified 另模孔符合指定的规格和数量	
spring line locked sufficiently to prevent slippage and deflection of cavities 模面之锁紧能很好防止内模滑动和偏移	
old to be easily assembled/disassembled 模具拆装方便	
spacings are above parting line min 0.2mm 内模高出分模面最少0.2mm	
sharp edges and no damage on all plates 所有模板无锐边和损伤	
rust on all mold plates has been cleaned 所有模板表面锈迹已清除	
old label mounted on mold 模具铭牌已安装	
insulating plate mounted 隔热板是否安装	
try bar slots needed 试模槽已做	

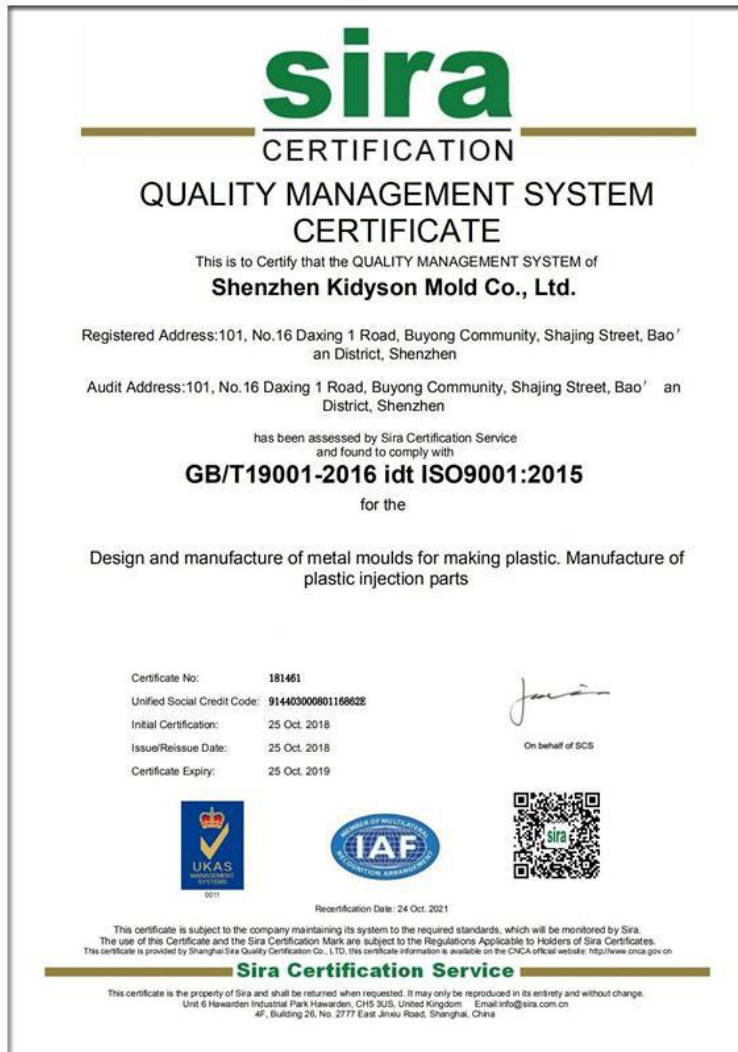
# Quality Management

Modern Japanese business management experience






ISO9001:2015 quality system guideline,

to ensure our customers get consistent, good quality products and services



## Equipment List

Facility	Brand	Model	Quantity	Origin	Picture	Facility	Brand	Model	Quantity	Origin	Picture
CMM	AEH	400*500*600	1	China		Surface Grinder	KENT	300*600	1	China	
Projector	HETAIQIANG	HT-3020	1	China		Precision Grinder	HYFAIR	180*350	1	China	
Height Gauge	MITUTOYO	0-550mm (0.02mm)	1	Japan			TONGHE	180*350	1	China	
Marking Gauge	MITUTOYO	0-150mm 0-300mm	2	Japan		Lathe Machine	NANFANG	400*1000	1	China	
Plug Gauge	MITUTOYO	0.05-1.00mm	2	Japan		Radial Drilling Machine	WEITU	ø40*1300	1	China	
Micrometer Caliper	MITUTOYO	25-50mm (0.01mm) 0-25mm (0.01mm)	3	Japan		Injection Machine	WELLTEC	90Tø38	2	China	
Caliper	MITUTOYO	0-150mm; 0-250mm 0-300mm; 0-350mm	10	Japan			WELLTEC	130T ø40	2	China	
CNC Milling Machine	BAOJI Engraving	500*600	1	China			WELLTEC	160T ø45	1	China	
	VICTOR TAICHUNG	800*500*500	1	Taiwan			WELLTEC	260T ø55	1	China	
	SOcay	800*500*500	1	China		Crushing Machine	KINGLONG	10P	1	China	
EDM Machine	CTEK	350*450	1	Taiwan			KINGLONG	7.5P	1	China	
	TOPEDM	350*435	1	Taiwan		Blender Machine	KINGLONG	50KG	1	China	
	ACCURATE	350*450	1	China		Assembly Line	KINGLONG	8M	1	China	
Milling Machine	TAIZHENG	350*800	4	Taiwan		Crane	JUREN	3T	2	China	

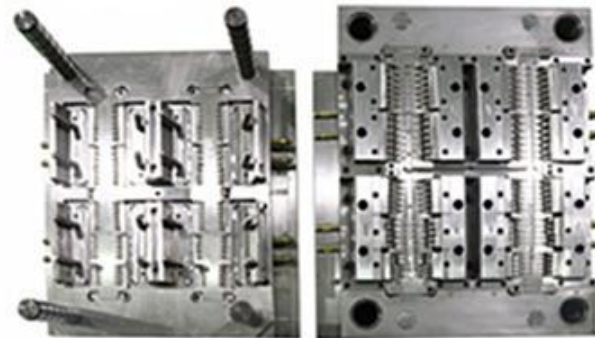
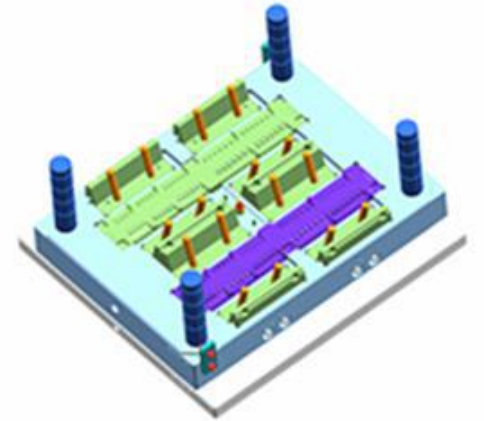
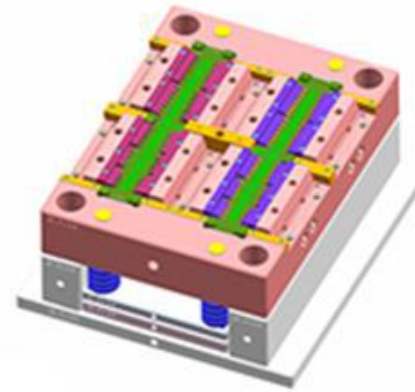
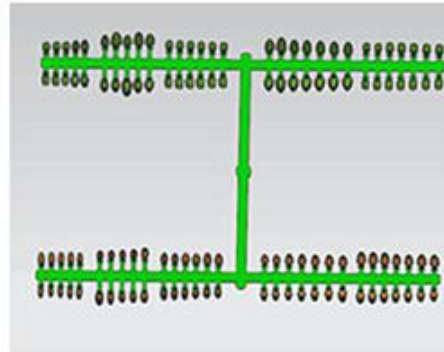


02

SERVICE

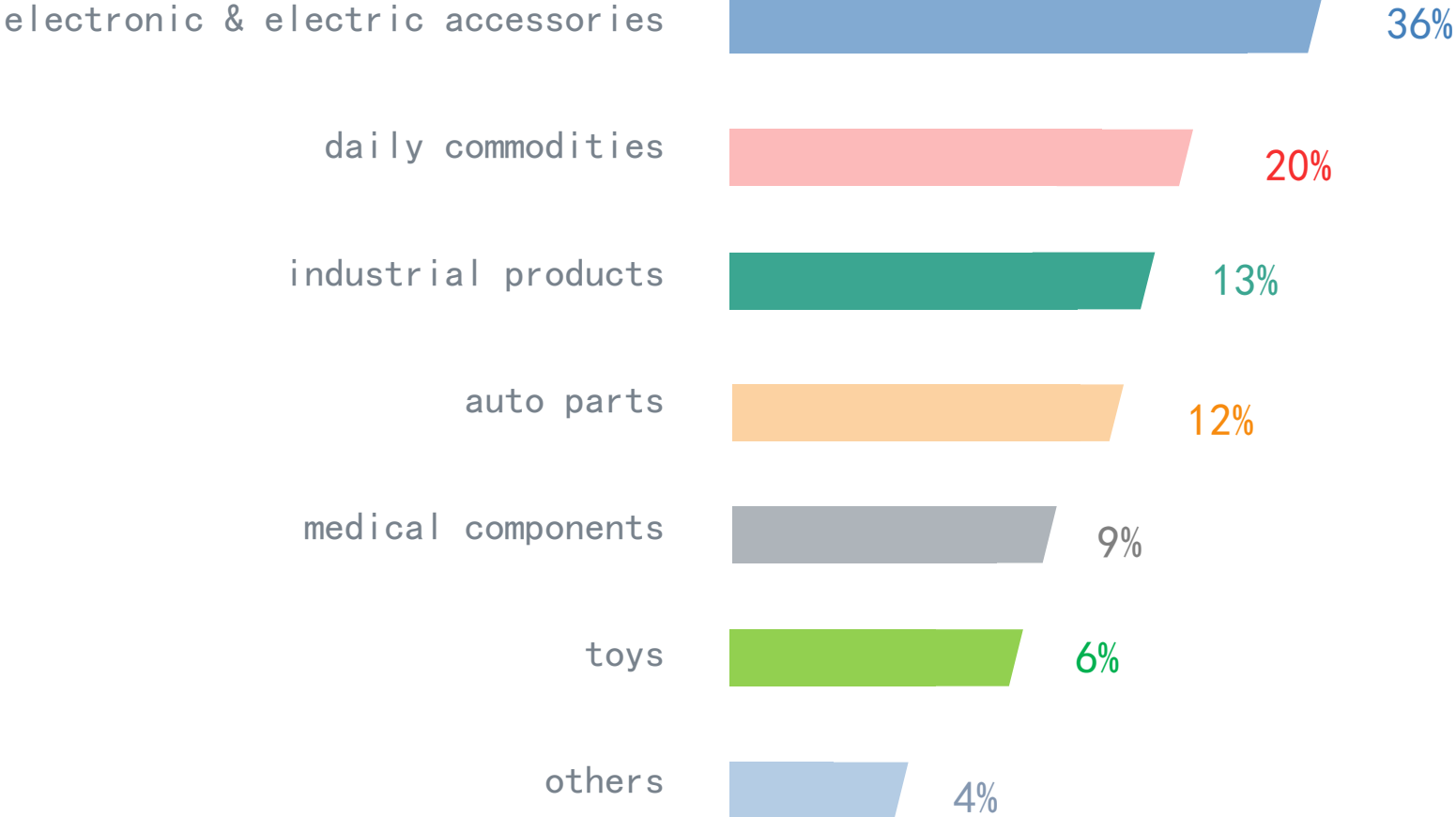
# Service

- ◇ New product development
- ◇ Structure design
- ◇ Mold design
- ◇ Prototype fabrication
- ◇ Plastic mold making
- ◇ Plastic injection molding



# Service Scope

◇ Expert in all kinds of plastic molds:

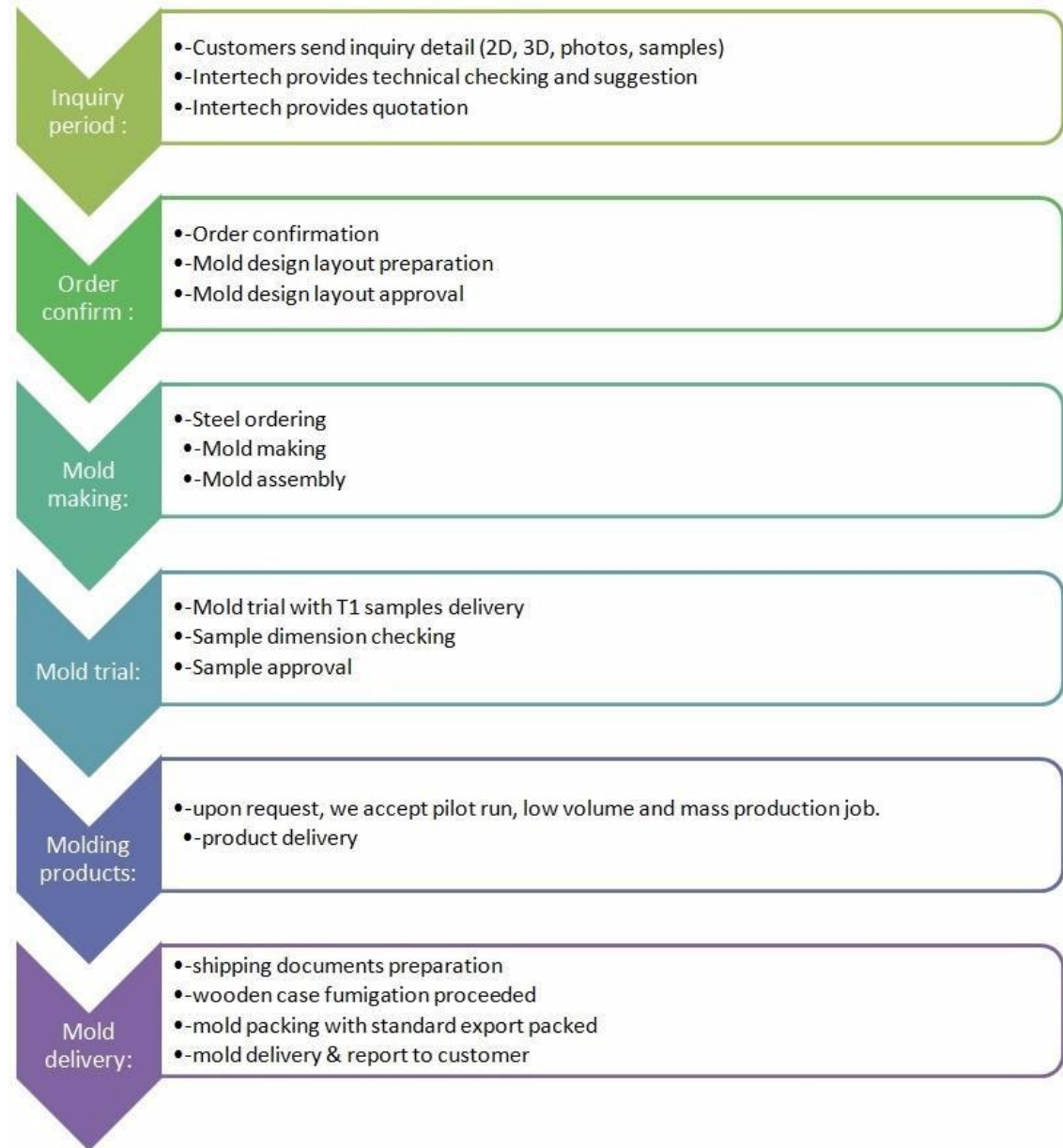


◇ Plastic injection molding

# Value-added Service

◇ We provide value-added and one-stop service, from plastic injection mold design to delivery.

◇ We also provide out-source service of dustless auto painting, electroplating, silkscreen, to partner factory.

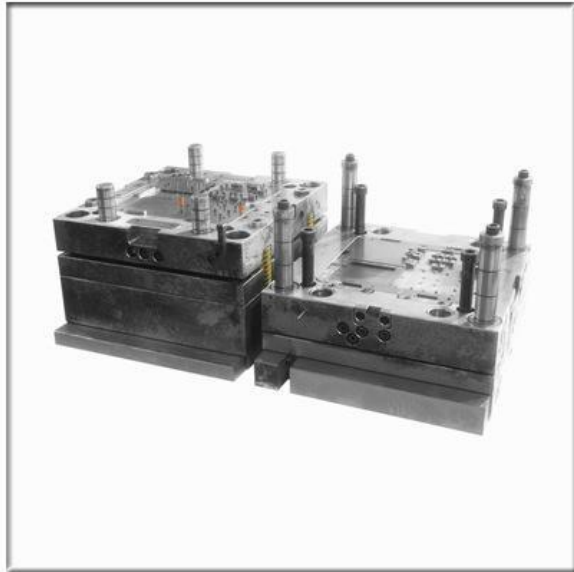
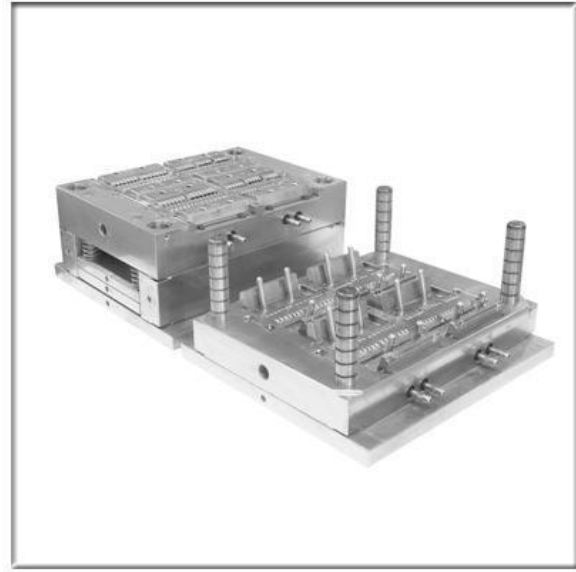
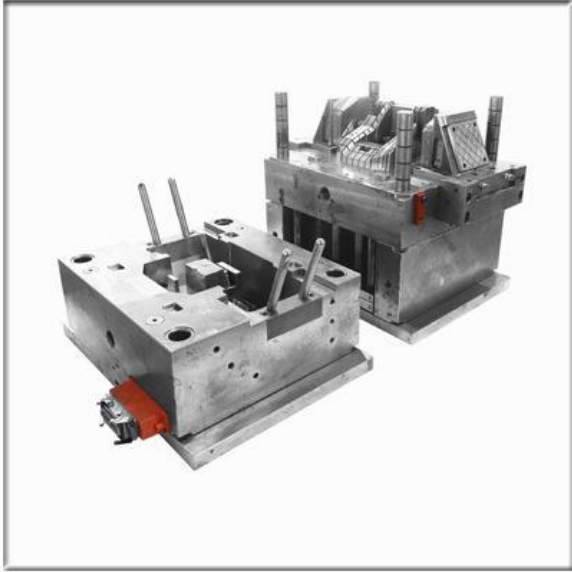


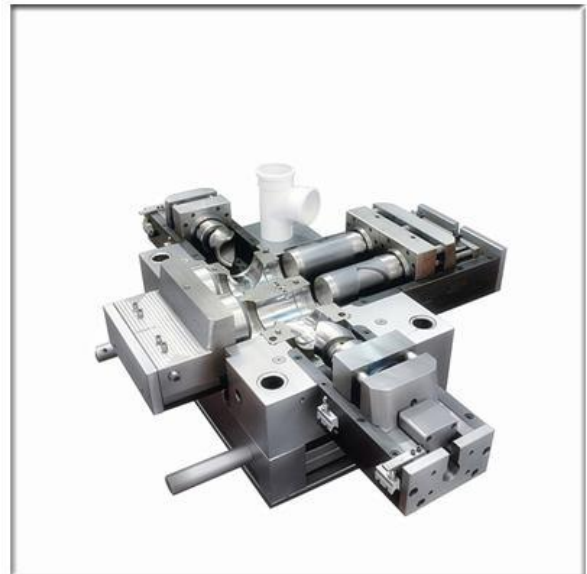
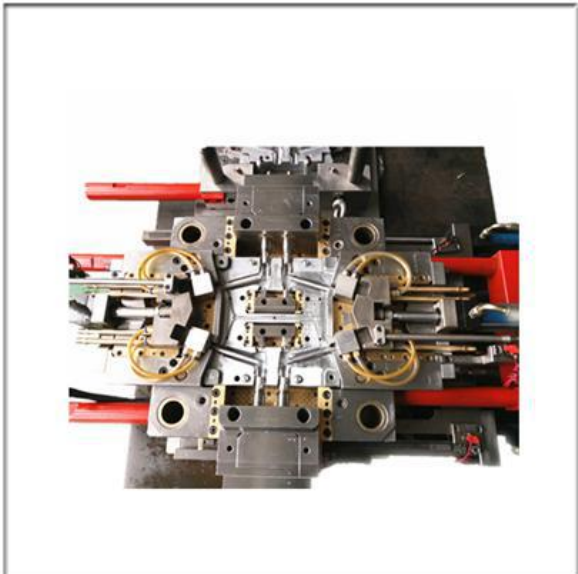
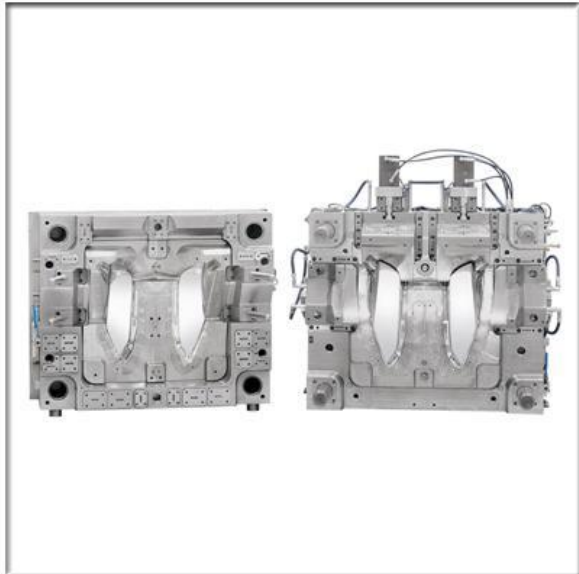
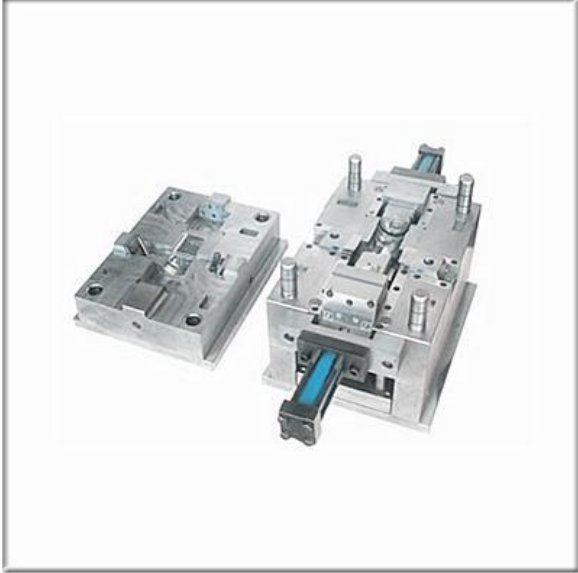


03

# MOLDS & SAMPLE PARTS

# MOLD SHOW





# SAMPLE SHOW – *Electronic & Electric Components*





# SAMPLE SHOW – *Daily Commodities*





# SAMPLE SHOW – *Auto Parts*





# SAMPLE SHOW – *Industrial Parts*



# SAMPLE SHOW – *Medical Parts*



# SAMPLE SHOW – Toys



# SAMPLE SHOW – *Others*





04

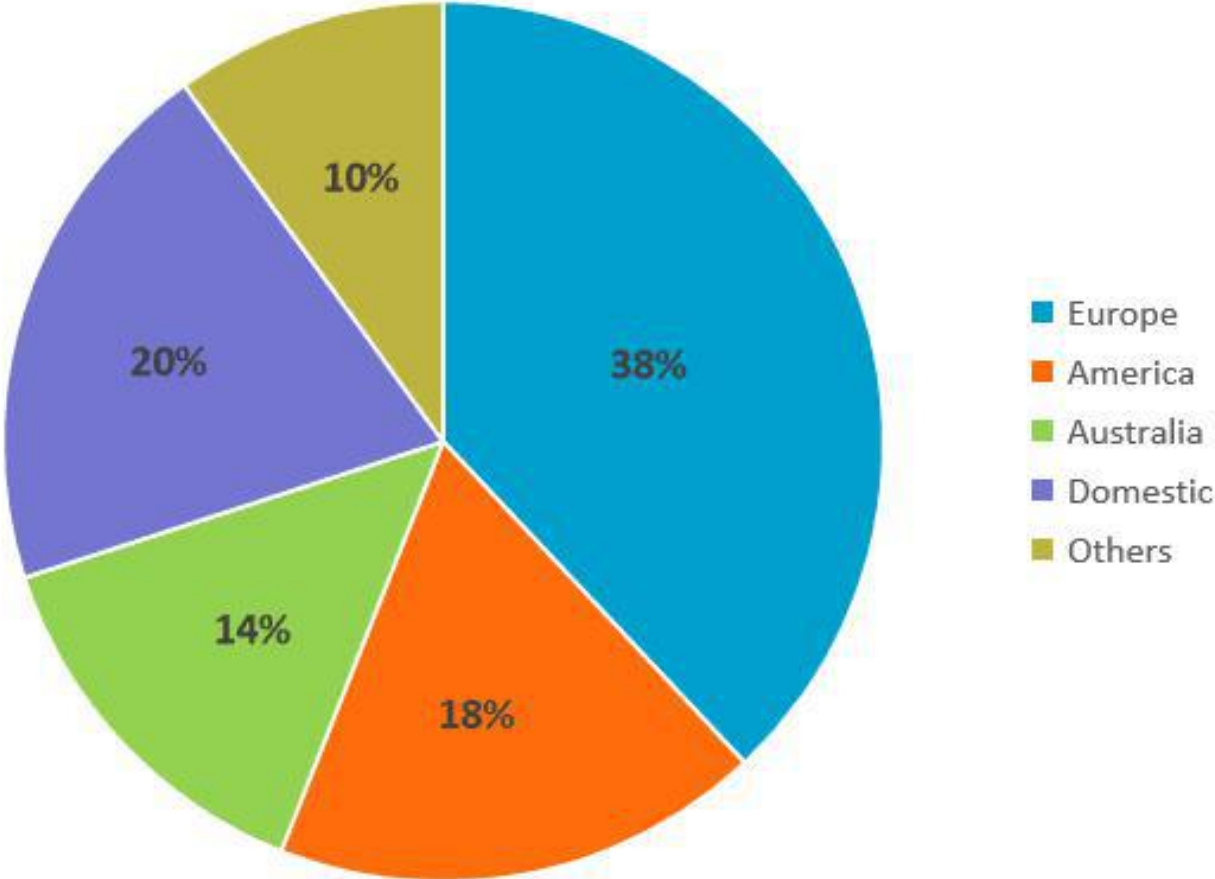
PARTNERSHIP

# Superior Customers



# Market Served

Market Distribution

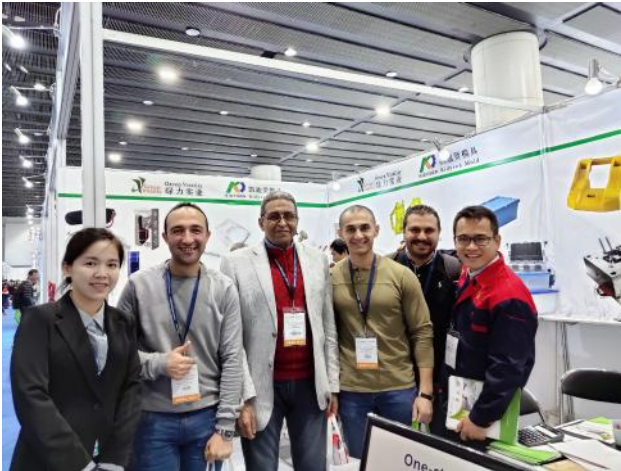




# GV Sales Team in Asiamold 2019



# Asiamold 2019



# Asiamold 2019



# Contact Us



## Green Vitality Industry Co., Ltd

Tel: 86-755 2682 5352

Fax: 86-755 2668 9654

Web: [www.gv-mold.com](http://www.gv-mold.com)

Email: [Info@gv-mold.com](mailto:Info@gv-mold.com)

1/F, Building 6, North Yongfa Industrial Park,

No.16, Daxing 1st Road, Shajing Town, Bao'an District,

Shenzhen, China (518104)

THANK YOU

